

MATRIX^{G4} Low Glare Tritone LED Panel

Thanks for choosing our MATRIX G4 Low Glare Tritone LED Panel
We strongly recommend that you read this manual carefully before installation.

Model	Size	Watts	CCT	Luminous flux ±10%	Beam angle	IP Rating	Input voltage	LED type	CRI	PF
MATX0306-20-G4	295*595	20W	4000K	1900lm (Min-Lumen) 1980lm (Max-Lumen)	90°	IP40	220-240Va.c. 50/60Hz	2835	≥90	>0.9
			4500K							
			5000K							
MATX0606-PS-G4	595*595	25W/28W/ 32W/36W	4000K	2670lm (Min-Lumen) 3960lm (Max-Lumen)						
			4500K							
			5000K							
MATX0312-PS-G4	295*1195	25W/28W/ 32W/36W	4000K	2670lm (Min-Lumen) 3960lm (Max-Lumen)						
			4500K							
			5000K							
MATX0612-48-G4	595*1195	48W	4000K	5600lm (Min-Lumen) 5800lm (Max-Lumen)						
			4500K							
			5000K							

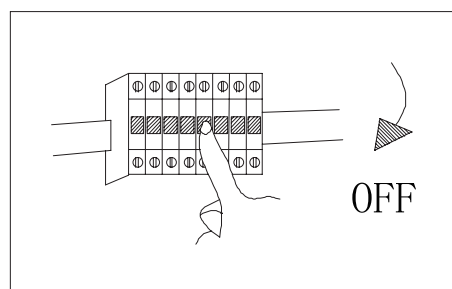
⚠ WARNING

- The luminaire must be installed by a licensed/qualified electrician in accordance with local wiring and relevant Australia standard.
- Ensure to disconnect mains supply before conducting any installation and maintenance the luminaire.
- Ensure input voltage conforms to the voltage range of product.
- Ensure all the wiring is correct and secured before connecting mains supply to the luminaire.
- Warranty is void if product is not installed according to the instructions.
- The light source contained in this luminaire shall only be replaced by the manufacturer or his service agent or a similar qualified person.

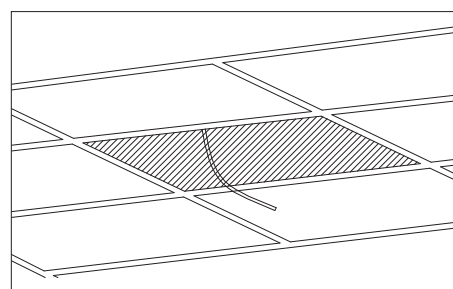
Note: Product technical information and specification may change over time without prior notice. For latest information, please contact our customer service or visit our website www.haneco.com.au

Installation Instructions

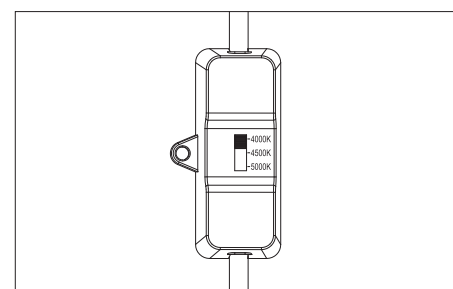
- Power off before installation.
- Ensure that the installed object can bear the lamp weight. Open the groove on the ceiling according to corresponding size. Then install the lamp into the clamping groove on the ceiling.
- Then connect wire attached to the lamp onto the corresponding power cord and carry out insulation sealing at the joint.



1. Turn off power at the source.

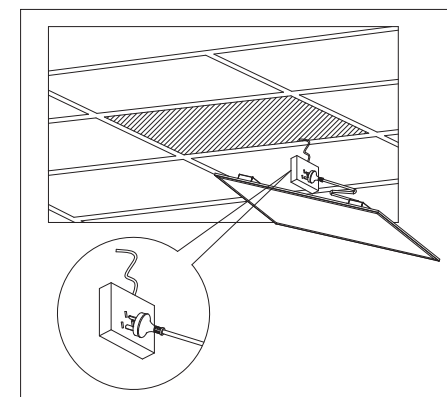


2. Remove the appropriate size plasterboard.

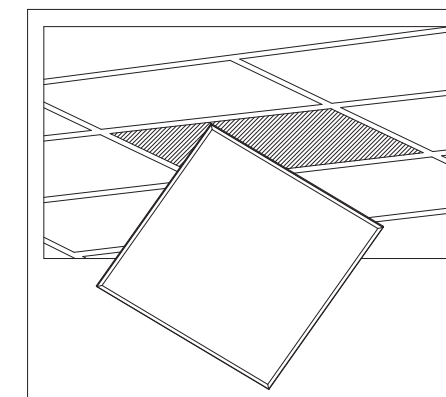


3. Adjust the color temperature to the desired color temperature through the dip switch.

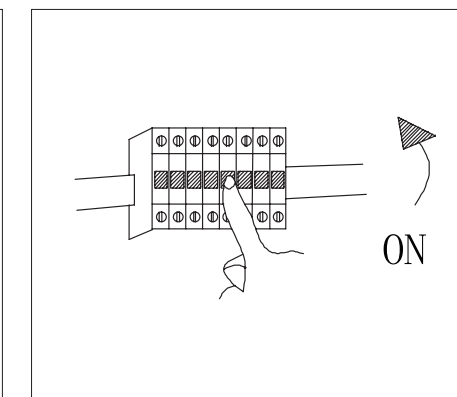
MATRIX^{G4} Low Glare Tritone LED Panel



4. Connect the LED panel to the driver and plug it into the socket.

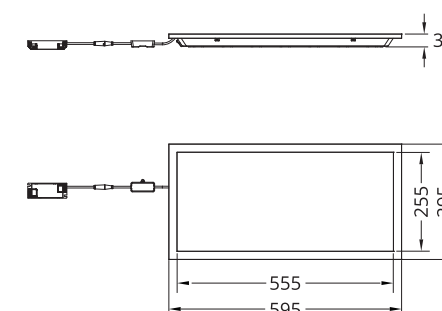


5. Mount panel into ceiling.

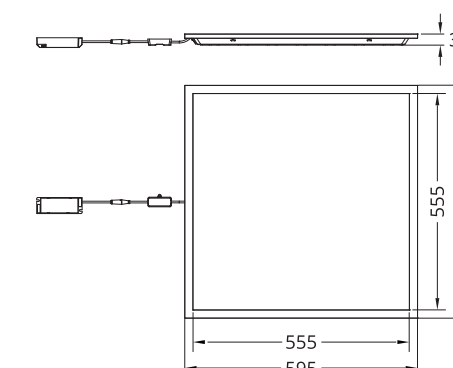


6. Restore power.

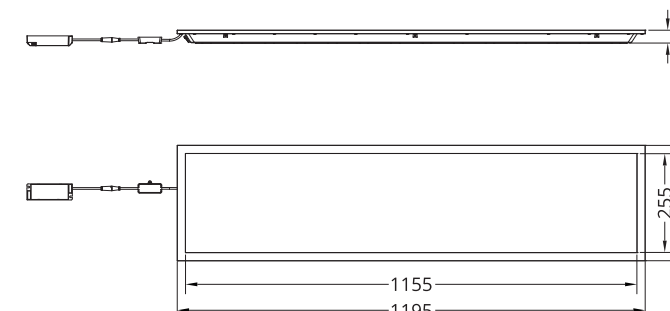
Dimensions (mm)



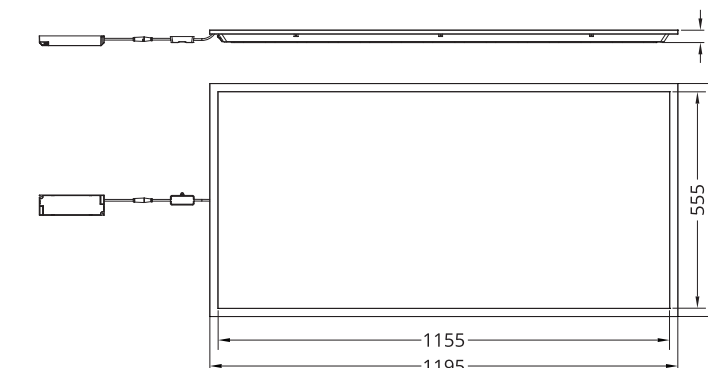
MATX0306-20-G4



MATX0606-PS-G4



MATX0312-PS-G4



MATX0612-48-G4

Product Code:
MATX0306-20-G4
MATX0606-PS-G4
MATX0312-PS-G4
MATX0612-48-G4